

# ROUND

## DIRECT/INDIRECT



### CERTIFICATIONS & COMPLIANCE



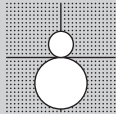
### FEATURES

**5 YEAR**  
limited  
led warranty



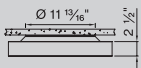
### PERFORMANCE

- Up to 125 lm/W efficiency
- 27 K, 30 K, 35 K, 40 K
- CRI > 80 & CRI > 90

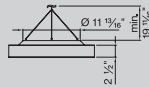


### MOUNTING

Surface

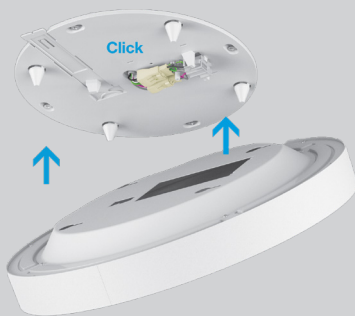


Pendant



### ONE CLICK INSTALLATION

Mounting & electrical connection with one click



### Catalog Number Example

ROUND-D/I-SUR-BL-OP-27K-C80-UNV-010V-02900L-DM-2FT

A B C D E F G H I J K

#### A RANGE

ROUND ROUND - D / I

#### B MOUNTING

QS Surface SUR  
QS Pendant PDT

pendant suspension set includes cable suspension and one white power feeder with a white junction box cover

#### C COLOR

QS White WH  
Black BL  
Gray GR  
Custom color RAL XX

#### D LENS

Opal cover OP

#### E CCT

QS 2700K 27 K  
QS 3000K 30 K  
3500K 35 K  
4000K 40 K

#### F CRI

QS CRI > 80 C80  
CRI > 90 C90

#### G VOLTAGE

QS 120V/277V UNV  
347 V 347  
only 0-10 V dim

#### H DIMMING

QS 0-10V 1% 0 10 V  
DALI DALI  
Lutron EcoSystem LES1  
Quantum, Vive, GRAFIK Eye,  
HomeWorks  
Power over ethernet POEC  
consult customer service for compatibility

#### I OUTPUT LM

QS Ø 1 1/2' 2900lm 02900 L  
QS 4100lm 04100 L  
QS Ø 2' 4000lm 04000 L  
5400lm 05400 L  
6500lm 06500 L  
QS Ø 3' 6800lm 06800 L  
7800lm 07800 L  
10100lm 10100 L  
13800lm 13800 L


#### J CIRCUIT / EM

QS Single circuit \*  
\* leave blank  
Dual circuit DC  
EMP EM battery pack EMB  
EM battery pack only for 120 / 277V.  
EM only available for DM 2' ≤ 4000lm  
Lutron EM only available for DM 2' ≤ 4000lm  
Lutron EM only available for DM 2' ≤ 4000lm  
Lutron EM only available for DM 3' ≤ 7800lm

#### K DIAMETER IN FT

Ø 1 1/2' DM - 1.5 FT  
Ø 2' DM - 2 FT  
Ø 3' DM - 3 FT

Technical data

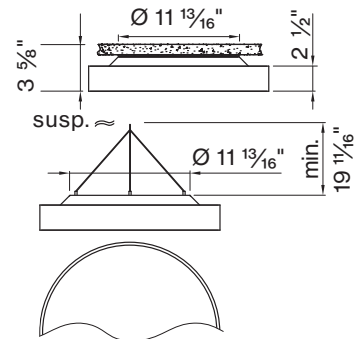
SIZE TYPE	LED COLOR TEMPERATURE	INPUT WATTS	DELIVERED LM TOTAL	LIGHT DISTRIBUTION	DELIVERED LM DIRECT				
 Ø 1 ½' gray	30K, 35K	28 W	2870lm	73% down / 27% up	2090lm	780lm	86%	102lm/W	
	40K		2980lm		2180lm	810lm		107lm/W	
	30K, 35K	47 W	4070lm	73% down / 27% up	2990lm	1090lm		87lm/W	
	40K		4240lm		3110lm	1130lm		91lm/W	
Ø 2' gray	30K, 35K	35 W	4020lm	76% down / 24% up	3060lm	960lm	86%	114lm/W	
	40K		4180lm		3180lm	1000lm		118lm/W	
	30K, 35K	50 W	5400lm	76% down / 24% up	4090lm	1310lm		107lm/W	
	40K		5610lm		4250lm	1360lm		111lm/W	
Ø 3' gray	30K, 35K	64 W	6450lm	80% down / 20% up	5110lm	1330lm		100lm/W	
	40K		6710lm		5320lm	1380lm		104lm/W	
	30K, 35K	57 W	6830lm	74% down / 26% up	5050lm	1780lm	86%	119lm/W	
	40K		7100lm		5250lm	1850lm		124lm/W	
30K, 35K	67 W	7800lm	80% down / 20% up	6020lm	1780lm		117lm/W		
	40K		8110lm		6250lm	1850lm		121lm/W	
	30K, 35K	91 W	10130lm	80% down / 20% up	8040lm	2080lm		111lm/W	
	40K		10540lm		8360lm	2170lm		115lm/W	
30K, 35K	135 W	13790lm	80% down / 20% up	10980lm	2800lm		102lm/W		
	40K		14350lm		11420lm	2910lm		106lm/W	

Accessory

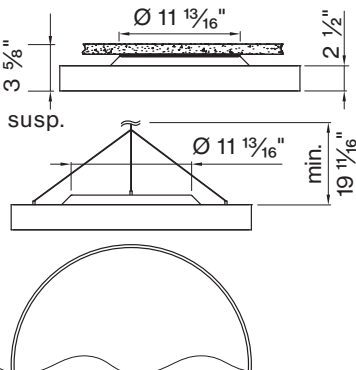
SUSPENSION SET < 36 INCH

3-piece barrel mount set 698 - 098 - 05140

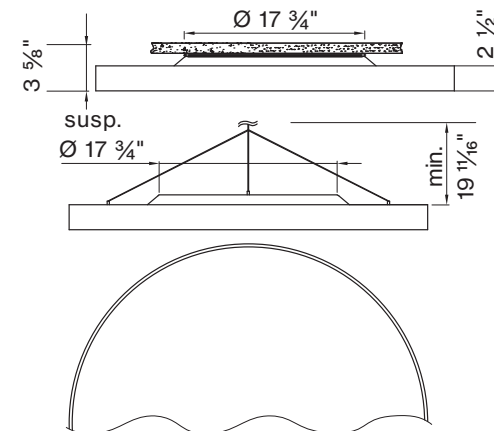
ROUND 1 ½' surface



ROUND 2' surface



ROUND 3' surface



FIXTURE DIMENSIONS

NOMINAL	DIMENSIONS	CODE
Ø 1 ½'	Ø 17 ¾" / h 3 ½"	DM-1.5FT
Ø 2'	Ø 23 ¾" / h 3 ½"	DM-2FT
Ø 3'	Ø 35 7/16" / h 3 ½"	DM-3FT

ROUND mounting instructions

Get access to the ROUND mounting instructions faster by scanning the QR code.



[www.basolighting.com/resources/mounting-instructions/round](http://www.basolighting.com/resources/mounting-instructions/round)