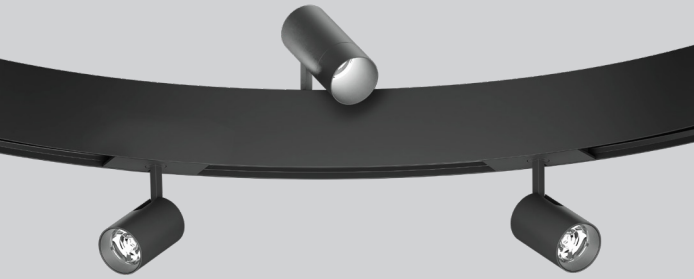


R-LINE® SPOT 1.5



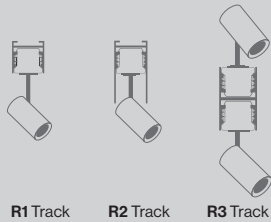
CERTIFICATIONS & COMPLIANCE



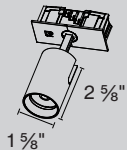
FEATURES

5 YEAR
limited
led warranty

CONFIGURATIONS



SPOT 1.5



BEAM ANGLE



COLORS



Catalog Number Example

RLINS-SPOT1.5-BLBL-30K-C90-48V-010V-45D-500LM-8W

A B C D E F H I

A SYSTEM

R-LINE R L I N S

B PRODUCT

Spot 1.5 S P O T 1 . 5

C COLOR HEAD

Black RAL9005 B L _ _
 White RAL9016 W H _ _
 Bronze Anodized B Z _ _
 Custom RAL X X _ _
 custom RAL, please contact BASO

ADAPTER COLOR sub option

Black _ _ B L
 White _ _ W H
 recommendation: adapter & track color should match

D CCT/CRI

2700K /CRI>90 2 7 K - C 9 0
 3000K /CRI>90 3 0 K - C 9 0
 3500K /CRI>90 3 5 K - C 9 0
 4000K /CRI>90 4 0 K - C 9 0

E VOLTAGE

48V low constant voltage 4 8 V
 remote driver required (see driver cutsheet)

F DIMMING

0-10V 1% dimming 0 1 0 V

G CIRCUIT

1 or 2 Circuit *
 compatible with 1 or 2 track (see driver cutsheet)
 *leave blank

H BEAM ANGLE Spot 1.5

12° spot 1 2 D
 21° medium 2 1 D
 35° flood 3 5 D
 58° ultra wide flood 5 8 D

I OUTPUT SPOT 1.5

500 lm 8W 5 0 0 L M - 8 W
 750 lm 11W 7 5 0 L M - 1 1 W
 1000 lm 15W 1 0 0 0 L M - 1 5 W

Accessories

ships pre-assembled

J FILTER

No Filter *
 Hex Louver H L
 Solite Filter S F
 *leave blank

K SNOOT

Standard Short Snoot *
 Anti Glare Snoot 1" S N
 *leave blank

Optional Accessories

ships separately

L ADAPTER COVER

ship standard with straight cover (field changeable)
 Curved R18" R 1 8
 Curved R24" R 2 4
 Curved R36" R 3 6
 Straight S T R

M LENS

Set Extra Lenses all beam spreads E X

Other Options

+ LINEAR OPAL

see R-Line Linear cutsheet

+ CURVE OPAL

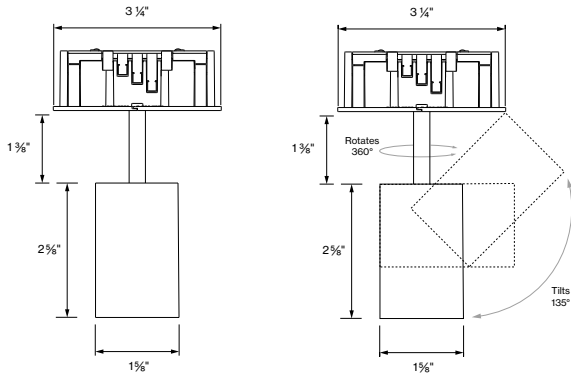
see R-Line Curve Opal cutsheet

+ LOUVER

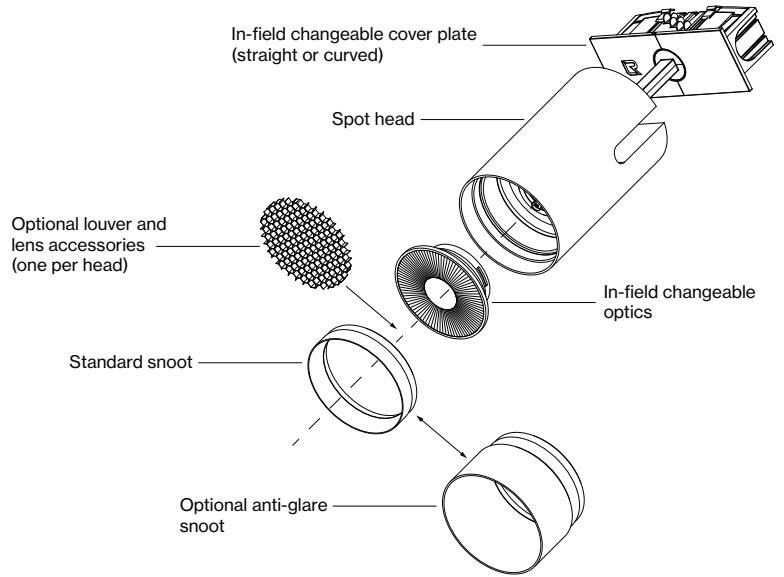
see R-Line Louver cutsheet

DIMENSIONS

SPOT 1.5



OPTIONS



Declare.

R-LINE SPOT BASO Inc.

Final Assembly: Oxford, Connecticut, USA

Life Expectancy: 7 Year(s)

End of Life Options: Recyclable (80%), Landfill (20%)

Ingredients:

Aluminum; Small electrical components¹; Zinc; Steel manufacture, chemicals; Copper

¹LBC Temp Exception RL-002 - Small Electrical Components

Living Building Challenge Criteria: Compliant

I-13 Red List:

LBC Red List Free % Disclosed: 100% at 100ppm
 LBC Red List Approved VOC Content: Not Applicable
 Declared

I-10 Interior Performance: Not Applicable

I-14 Responsible Sourcing: Not Applicable

BAS-0004

EXP. 01 AUG 2025

Original Issue Date: 2024

FOR MORE INFORMATION VISIT www.declareproject.org/
 INTERNATIONAL LIVING FUTURE INSTITUTE™ living-future.org/declare