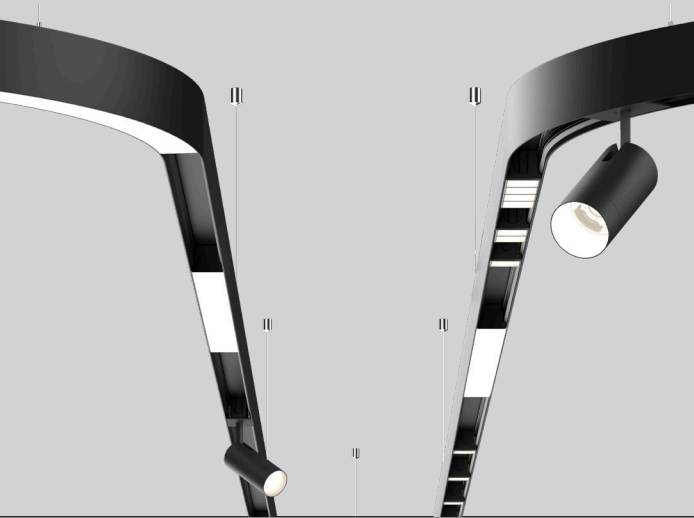


R-LINE[®]

TRACK WITH UPLIGHT



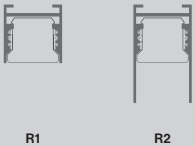
CERTIFICATIONS & COMPLIANCE



FEATURES

5 YEAR
limited
led warranty

CHANNEL



PERFORMANCE

- Modular 48V track system
- Combine linear, curve, and track
- Patented technology for curved track

CONFIGURATIONS



MOUNTING



Indirect
Suspended

INSET OPTIONS



Catalog Number Example

RLTR-R1-PDT-BLBL-27K-C90-BW-48V-010V-2C-700LF-8WF-LS-M90-02

A B C D E F G H I J K

A PRODUCT

R1 Track 1" track	RLTR-R1
R2 Track 2" track	RLTR-R2

B MOUNTING

Pendant Cable	PDT
Pendant Stem <small>available Q1 2024</small>	STM
Custom Mount	XXX

custom mount, please contact BASO

C HOUSING COLOR

Black RAL9005	BL
White RAL9016	WH
Custom RAL	XX

custom RAL, please contact BASO

PENDANT HARDWARE COLOR

sub option

Black	BL
White	WH

power feed, stem & canopy cover only; AC cable & barrel mount come in silver

D UPLIGHT CCT/CRI

2700K / CRI >90	27K - C90
3000K / CRI >90	30K - C90
3500K / CRI >90	35K - C90
4000K / CRI >90	40K - C90

E UPLIGHT LENS

Opal	OP
Batwing	BW

VOLTAGE

48V low constant voltage	48V
--------------------------	-----

remote driver required (see driver cutsheet)

F DIMMING

0-10V 1% dimming	010V
------------------	------

G CIRCUIT

2 Circuit (1) circuit track, (1) circuit uplight	2C
3 Circuit (2) circuit track, (1) circuit uplight	3C

uplight is always on separate circuits

H UPLIGHT OUTPUT

350 lm/ft. 4w/ft.	350LF - 4WF
700 lm/ft. 8w/ft.	700LF - 8WF

I SHAPE/PATTERN

Linear	ST
L-Shape (90°)	LS
□-Shape rectangular shape (90°)	RS
U-Shape (90°)	US
Z-Shape (90°)	ZS
Custom Pattern	CP

custom angles and patterns, please contact BASO

J CORNERS

No Corners	*
Mitered 90°	M90
Curved Radius 18"/90°	R18
Curved Radius 24"/90°	R24
Curved Radius 36"/90°	R36

custom radius and angles, please contact BASO
*leave empty

K DIMENSIONS 1" increments only

2' 0" min. length	02
4' 0"	04
6' 0"	06
8' 0"	08
Shape / Pattern	XX
Custom	XX

custom pattern, please contact BASO

Optional Accessories

ships separately

L BLIND COVERS

Blind Cover 1" flush with R1 track	B1
Blind Cover 2" <small>available Q1 2024</small>	B2

includes field cuttable blind cover (end to end)

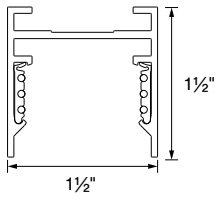
Other Options

+ TRACK WITHOUT UPLIGHT

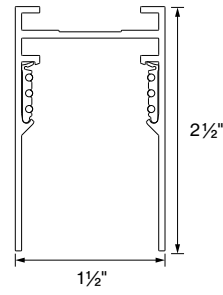
see R-Line Track cutsheet

DIMENSIONS

R1

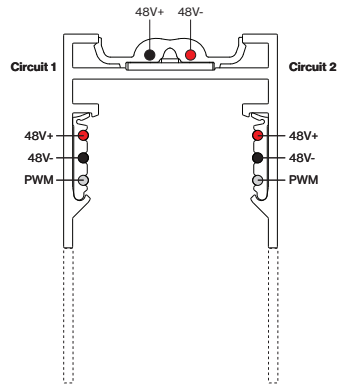


R2

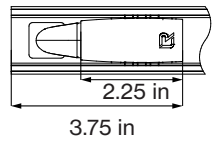


POWER TRACK CIRCUITRY

R1/R2

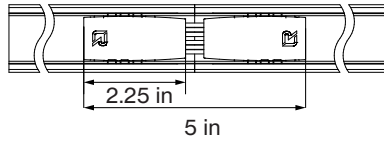


POWER FEED



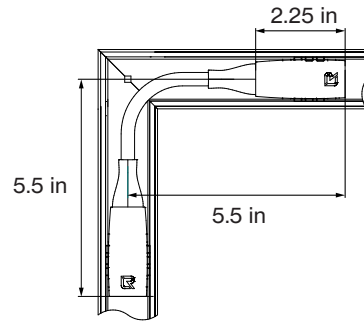
Insets cannot be placed on top of power feeds and electrical connectors.

ELECTRICAL CONNECTOR



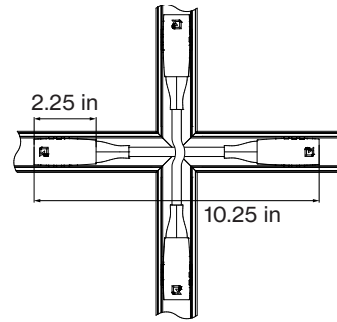
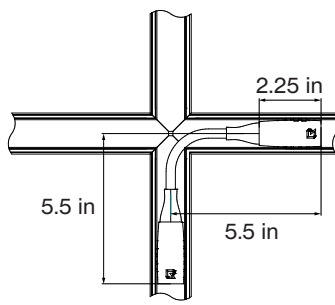
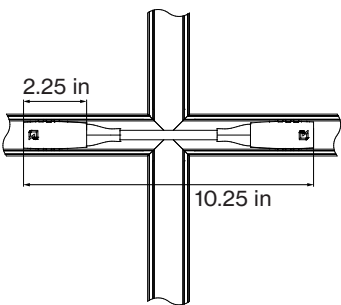
ELECTRICAL CONNECTOR

L-Configuration



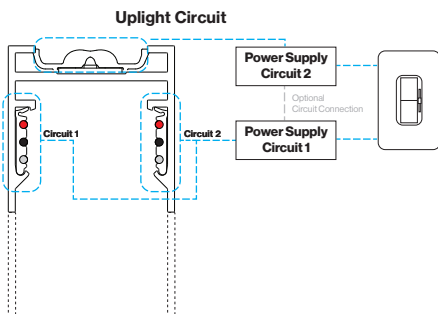
ELECTRICAL CONNECTOR

X-Configuration

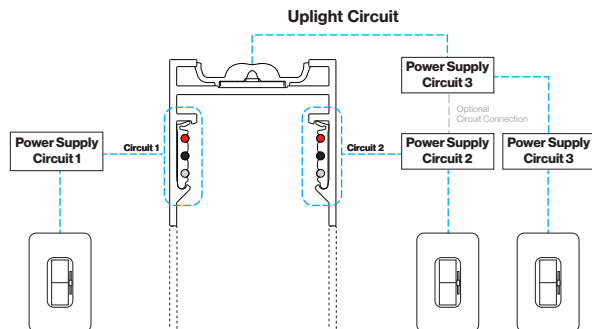


CIRCUIT DIAGRAM

Single Circuit with Uplight
(With options to control together)

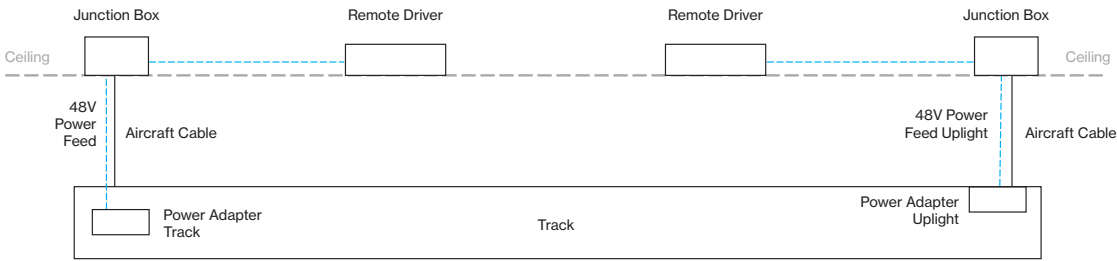


Two Circuit w/ Uplight



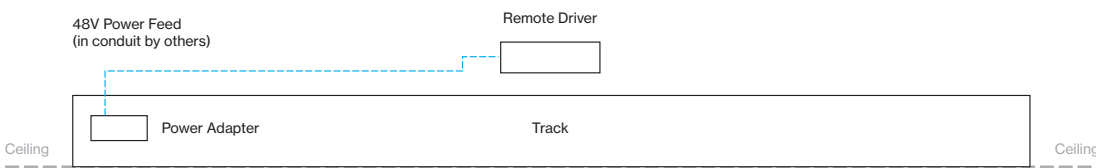
SYSTEM COMPONENTS (SIDE VIEW)

R1/R2 PDT W/ UPLIGHT

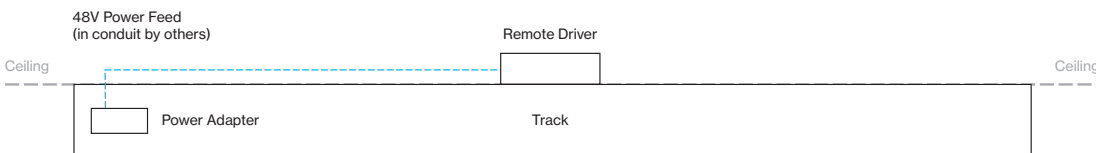


TRACK DIAGRAM (SIDE VIEW)

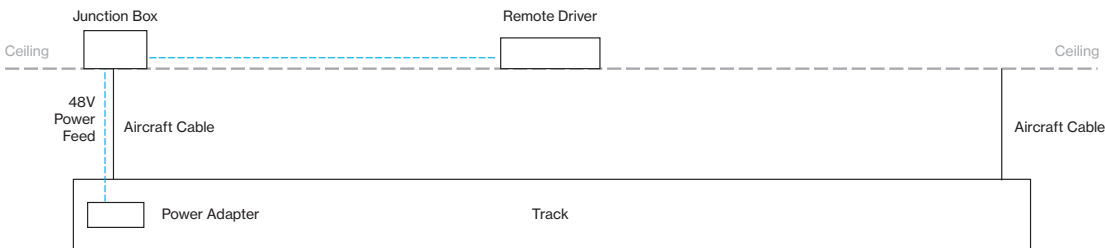
R1/R2 RTL



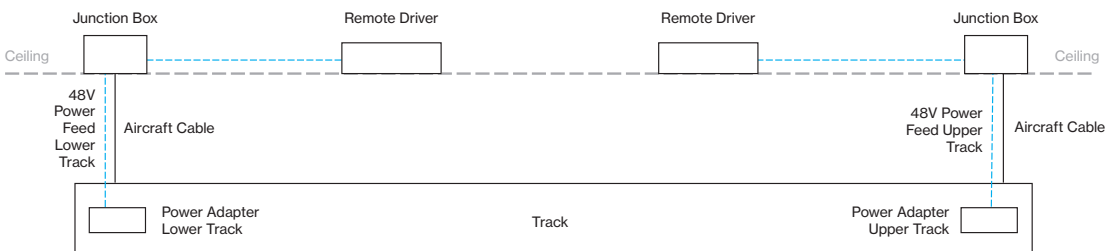
R1/R2 SUR



R1/R2 PDT



R3 PDT



Declare.

R-LINE TRACK
BASO, INC.

Prod Assembly: Oxford, Connecticut, USA
Life Expectancy: 7 Years
End of Life: Optimize, Recycle (EOL), Landfill (EOL)

Ingredients

Aluminum, steel electrical components, steel mechanical hardware, Castles, Castles, P-LINE, Polyethylene polyethylene with 10% DOP plasticizer, Polyethylene glycol glycol, Polyethylene glycol, Polyethylene glycol, Polyethylene glycol, Polyethylene glycol, Castles, Castles, Castles

LBC Temp Exception RC-000 - Small Electrical Components

Living Building Challenge® Credits

L2 Red List

LBC Red List Free LBC Red List Prohibited COVs at 10ppm LBC Red List Approved LBC Credits Not Applicable

Discarded

LBC Recycled Performance Not Applicable
LBC Recycled Content Not Applicable

164 **Responsible Sourcing** Not Applicable

164-0000
EOL 07 AUG 2025
Original Issue Date 2024

INTERNATIONAL LIVING BUILDING INSTITUTE™ Living Building Challenge