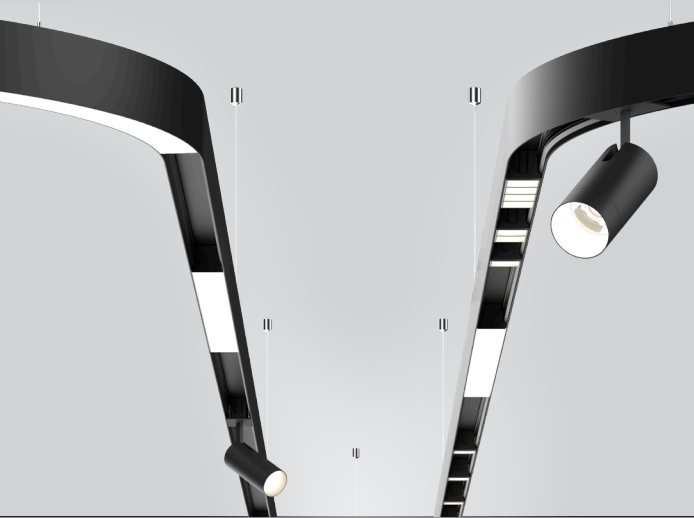


# R-LINE<sup>®</sup>

## TRACK WITH UPLIGHT



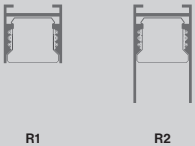
### CERTIFICATIONS & COMPLIANCE



### FEATURES

**5 YEAR**  
limited  
led warranty

### CHANNEL



### PERFORMANCE

- Modular 48V track system
- Combine linear, curve, and track
- Patented technology for curved track

### CONFIGURATIONS



### MOUNTING



Indirect  
Suspended

### INSET OPTIONS



### Catalog Number Example

RLTR-R1-PDT-BLBL-27K-C90-BW-48V-010V-2C-700LF-8WF-LS-M90-02

A B C D E F G H I J K

### A PRODUCT

R1 Track 1" track	R L T R-R 1
R2 Track 2" track	R L T R-R 2

### B MOUNTING

Pendant Cable	P D T
Pendant Stem <i>coming soon</i>	S T M
Custom Mount	X X X

custom mount, please contact BASO

### C HOUSING COLOR

Black RAL9005	B L _ _
White RAL9016	W H _ _
Custom RAL	X X _ _

custom RAL, please contact BASO

### PENDANT HARDWARE COLOR

*sub option*

Black	_ _ B L
White	_ _ W H

power feed, stem & canopy cover only; AC cable & barrel mount come in silver

### D UPLIGHT CCT/CRI

2700K / CRI >90	2 7 K - C 9 0
3000K / CRI >90	3 0 K - C 9 0
3500K / CRI >90	3 5 K - C 9 0
4000K / CRI >90	4 0 K - C 9 0

### E UPLIGHT LENS

Opal	O P
Batwing	B W

### VOLTAGE

48V low constant voltage	4 8 V
--------------------------	-------

remote driver required (see driver cutsheet)

### F DIMMING

0-10V 1% dimming	0 1 0 V
------------------	---------

### G CIRCUIT

2 Circuit (1) circuit track, (1) circuit uplight	2 C
3 Circuit (2) circuit track, (1) circuit uplight	3 C

uplight is always on separate circuits

### H UPLIGHT OUTPUT

350 lm/ft. 4w/ft.	3 5 0 L F - 4 W F
700 lm/ft. 8w/ft.	7 0 0 L F - 8 W F

### I SHAPE/PATTERN

Linear	S T
L-Shape (90°)	L S
□-Shape rectangular shape (90°)	R S
U-Shape (90°)	U S
Z-Shape (90°)	Z S
Custom Pattern	C P

custom angles and patterns, please contact BASO

### J CORNERS

No Corners	_ _ *
Mitered 90°	M 9 0
Curved Radius 18"/90°	R 1 8
Curved Radius 24"/90°	R 2 4
Curved Radius 36"/90°	R 3 6

custom radius and angles, please contact BASO  
\*leave empty

### K DIMENSIONS *1" increments only*

2' 0" min. length	0 2
4' 0"	0 4
6' 0"	0 6
8' 0"	0 8
Shape / Pattern	x x
Custom	x x

custom pattern, please contact BASO

### Optional Accessories

*ships separately*

### L BLIND COVERS

Blind Cover 1" flush with R1 track	B 1
Blind Cover 2" <i>coming soon</i>	B 2

includes field cuttable blind cover (end to end)

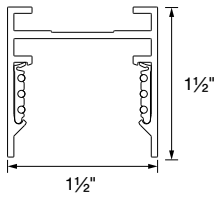
### Other Options

### + TRACK WITHOUT UPLIGHT

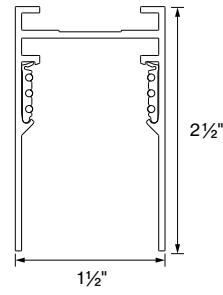
see R-Line Track cutsheet

## DIMENSIONS

R1

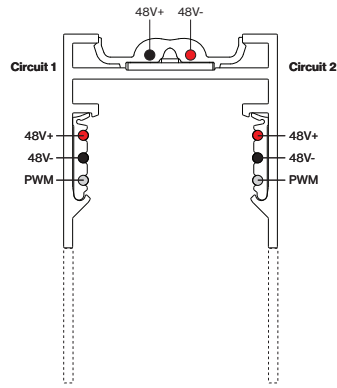


R2

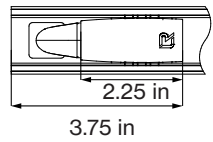


## POWER TRACK CIRCUITRY

R1/R2

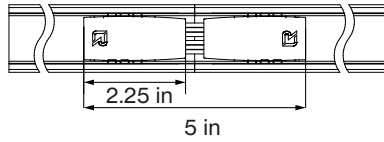


## POWER FEED



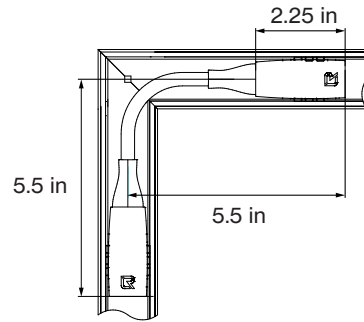
Insets cannot be placed on top of power feeds and electrical connectors.

## ELECTRICAL CONNECTOR



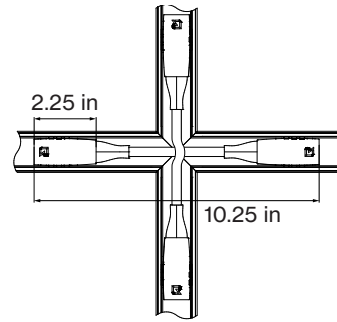
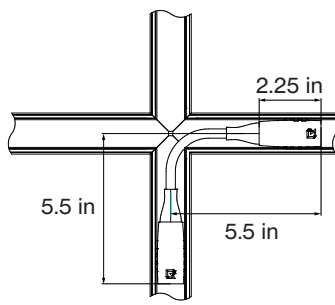
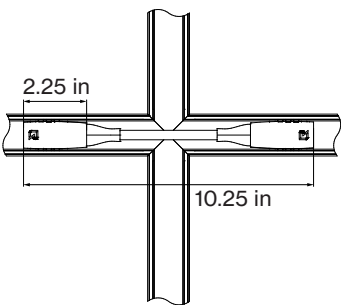
## ELECTRICAL CONNECTOR

L-Configuration



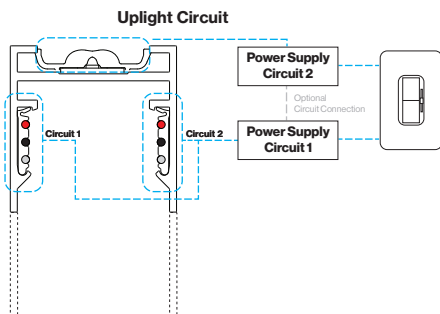
## ELECTRICAL CONNECTOR

X-Configuration



## CIRCUIT DIAGRAM

Single Circuit with Uplight  
(With options to control together)



Two Circuit w/ Uplight

