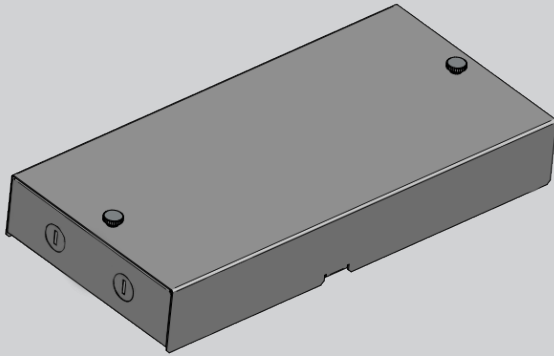


# M-LINE

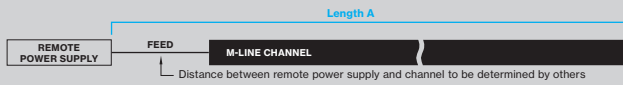
## 48 V POWER SUPPLY



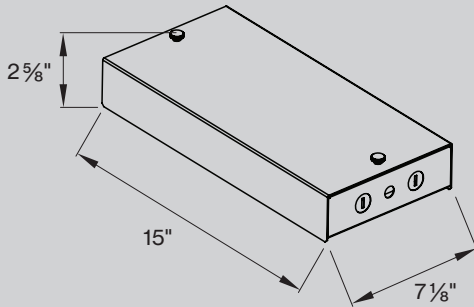
### PERFORMANCE

- 0-10 V DIM Single Control
- 0-10 V Dual Control
- Up to 260 W power supply

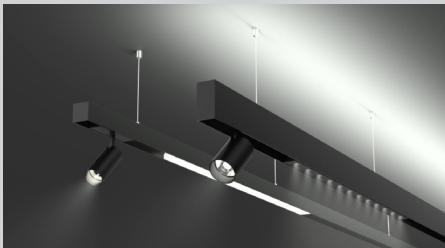
### POWER SUPPLY



### REMOTE POWER SUPPLY DIMENSIONS



### DUAL CHANNEL DIMMING



### Catalog Number Example

MLPS-REM-TR-SC-UNV-48V-100W-010V

A B D E F G H I

#### A SYSTEM

M-LINE MLPS

#### G OUTPUT VOLTAGE

48V low constant voltage 48 V  
3 pole connection 48V+ / 48V- / PVM

#### B MOUNTING

Remote Box REM  
*Contact BASO for custom size boxes*

#### H CAPACITY

60W	0 6 0 W
100W	1 0 0 W
150W	1 5 0 W
185W	1 8 5 W
260W	2 6 0 W

#### C HOUSING COLOR

Raw  
*Contact BASO for powder coated boxes*

#### D TYPE

Track TR

#### I DIMMING

No Dimming NOD  
0-10V logarithmic, 1% dimming 0 1 0 V  
*for 0-10V linear dimming curve contact BASO*

#### E CIRCUIT

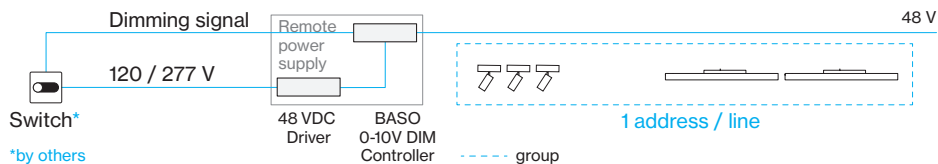
Single Control SC  
Dual Control\* DC  
*\*two 0-10V dimming outputs*

#### F INPUT VOLTAGE

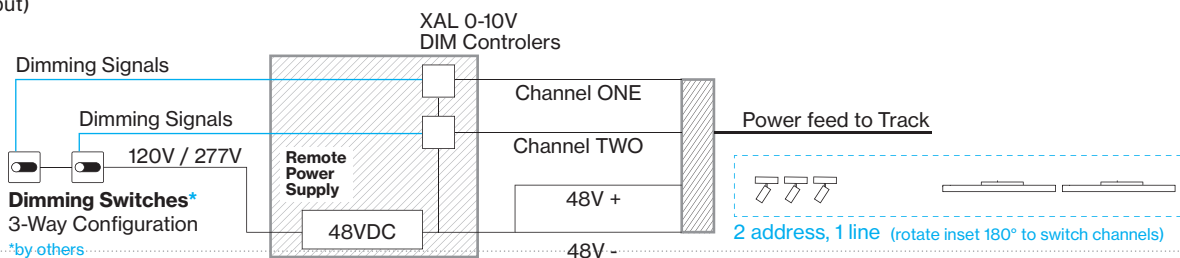
120 - 277V UNV

## Wiring diagrams

### 0-10V 1% SINGLE CONTROL



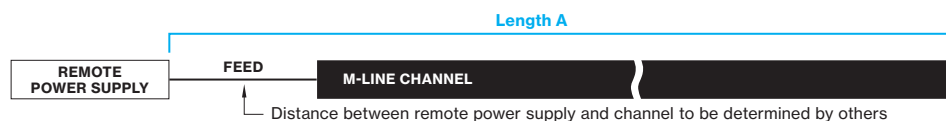
### 0-10V 1% DUAL CONTROL (two 0-10V dimming output)



## Length range per power supply

POWER SUPPLY	60 W	100 W	150 W	185 W	260 W
Length A	225'	150'	100'	80'	60'

Due to voltage drop and to fulfill EMC requirements, total fixture power [W] must be between 60 and 90% of the power supply's capacity. Calculations at max. capacity of power supply using 14 AWG.



### M-LINE Mounting Instructions

Get access to the M-LINE mounting instructions faster by scanning the QR code.

<https://www.basolighting.com/resources/mounting-instructions/m-line>

