

# DOT-SQ 1.5

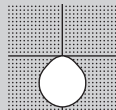
## ADJUSTABLE

**5** YEAR  
limited  
led warranty



### PERFORMANCE

- CRI > 90
- Spotlight 360° rotatable & 25° tiltable



### OPTICS

DOT-SQ 1.5



### COMPATIBLE CONTROLS

ATHENA  
WIRELESS NODE by  
**LUTRON**



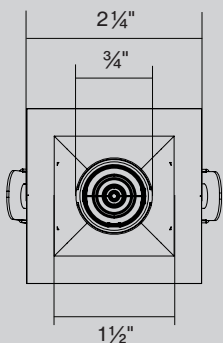
**B** consult  
factory

### CERTIFICATIONS & COMPLIANCE

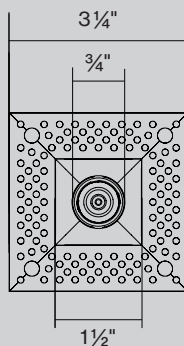


### DIMENSIONS

#### TRIM



#### TRIMLESS



### Catalog Number Example

DOT-SQ1.5-RTR-WHWH-30K-C90-FL-L35D-NOACC-UNV-010V-500LM-7.5W-FBI

A B C D E F G H I J K

#### A RANGE

DOT-SQ 1.5      DOT - SQ 1 . 5

#### B MOUNTING

Recessed with trim      R T R  
Recessed trimless      R T L

#### C HOUSING COLOR

White      W H  
Black      B L  
Custom RAL      X X  
*custom RAL, please contact BASO*

#### BEZEL COLOR

White      W H  
Black      B L  
Custom RAL      X X  
*custom RAL, please contact BASO*

#### D CCT

2700 K      2 7 K  
3000 K      3 0 K  
3500 K      3 5 K  
4000 K      4 0 K  
Tunable White (TW)      T W

#### E CRI

CRI > 90      C 9 0

#### F OPTICS

Spot 15°      S P - L 1 5 D  
Medium 25°      M D - L 2 5 D  
Flood 30°      F L - L 3 5 D  
Wide Flood 45°      W D - L 4 5 D

#### G ACCESSORY

No Accessory      N O A C C  
Honeycomb Louver      H C O M B  
Concentric Louver      C O N C

#### H VOLTAGE

120V / 277V      U N V

#### I DIMMING

0-10V 1% dimming      0 1 0 V  
DALI      D A L I  
Lutron      L U T  
Lutron Athena      L U T A  
Phase (120V only)      P H  
Custom dimming *consult factory*

#### J OUTPUT

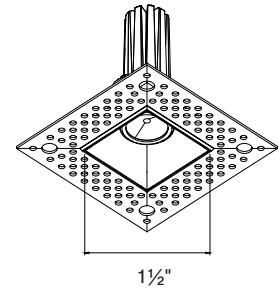
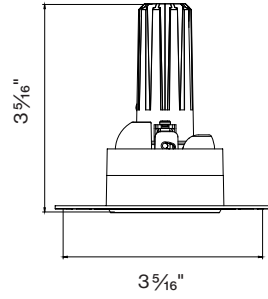
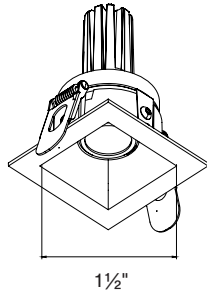
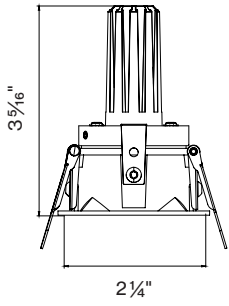
400lm 6W      4 0 0 L M - 6 W  
500lm 7.5W      5 0 0 L M - 7 . 5 W  
600lm 9W      6 0 0 L M - 9 W

#### K HOUSING TYPE

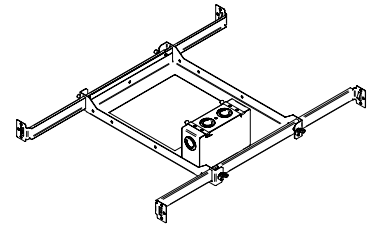
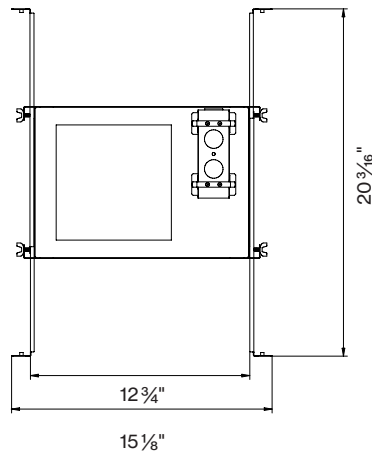
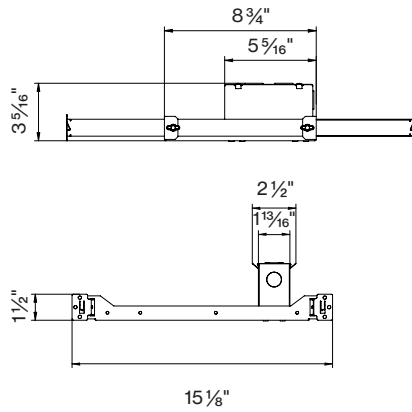
From Below Install      F B I  
T-Rod/non IC-rated      T R - N I C  
T-Rod / IC-rated      T R - I C R  
Chicago Plenum (CCEA)      T R - C C E A  
Remote Housing

**BASO**  
basolighting.com

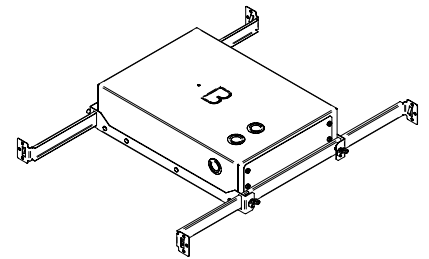
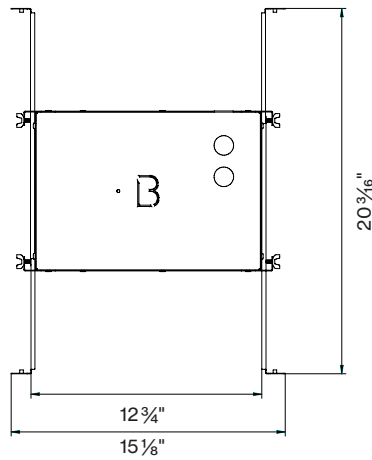
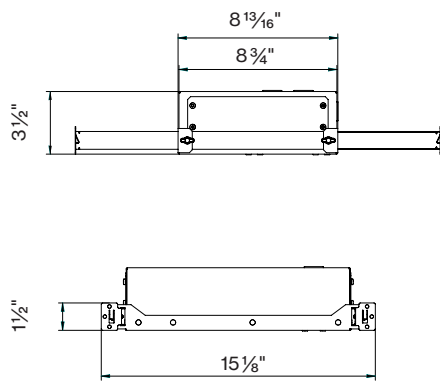
**Dimensions**



**non-IC rated**



**IC rated**



**Remote Housing**

