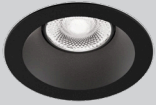


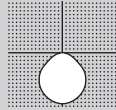
# DOT-R 2.5 ADJUSTABLE

**5** YEAR  
limited  
led warranty



## PERFORMANCE

- CRI > 90
- Spotlight 360° rotatable & 35° tiltable



## OPTICS

DOT-R 2.5



## COMPATIBLE CONTROLS

ATHENA  
WIRELESS NODE by  
**LUTRON**



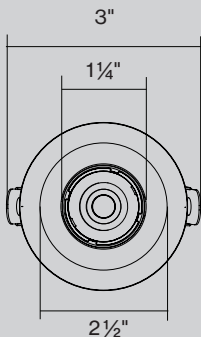
**B** consult  
factory

## CERTIFICATIONS & COMPLIANCE

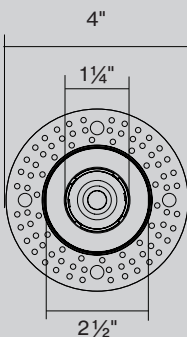


## DIMENSIONS

### TRIM



### TRIMLESS



## Catalog Number Example

DOT-R2.5-RTR-WHWH-30K-C90-FL-L35D-NOACC-UNV-010V-700LM-7.5W-FBI

A B C D E F G H I J K

### A RANGE

DOT-R 2.5      DOT - R 2 . 5

### B MOUNTING

Recessed with trim      R T R  
Recessed trimless      R T L

### C HOUSING COLOR

White      W H \_ \_  
Black      B L \_ \_  
Custom RAL      X X \_ \_  
*custom RAL, please contact BASO*

### BEZEL COLOR

White      \_ \_ W H  
Black      \_ \_ B L  
Custom RAL      \_ \_ X X  
*custom RAL, please contact BASO*

### D CCT

2700 K      2 7 K  
3000 K      3 0 K  
3500 K      3 5 K  
4000 K      4 0 K  
Tunable White (TW)      T W

### E CRI

CRI > 90      C 9 0

### F OPTICS

Spot 15°      S P - L 1 5 D  
Medium 25°      M D - L 2 5 D  
Flood 35°      F L - L 3 5 D  
Wide Flood 55°      W D - L 5 5 D

### G ACCESSORY

No Accessory      N O A C C  
Honeycomb Louver      H C O M B  
Concentric Louver      C O N C

### H VOLTAGE

120V / 277V      U N V

### I DIMMING

0-10V 1% dimming      0 1 0 V  
DALI      D A L I  
Lutron      L U T  
Lutron Athena      L U T A  
Phase (120V only)      P H  
Custom dimming *consult factory*

### J OUTPUT

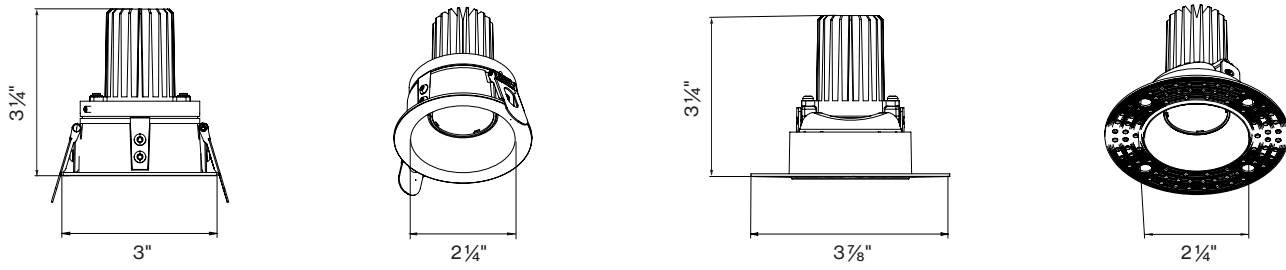
700lm 7.5W      7 0 0 L M - 7 . 5 W  
1000lm 11W      1 0 0 0 - 1 1 W  
1300lm 14.5W      1 3 0 0 - 1 4 . 5 W

### K HOUSING TYPE

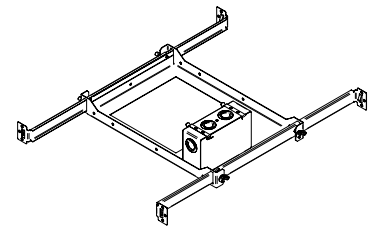
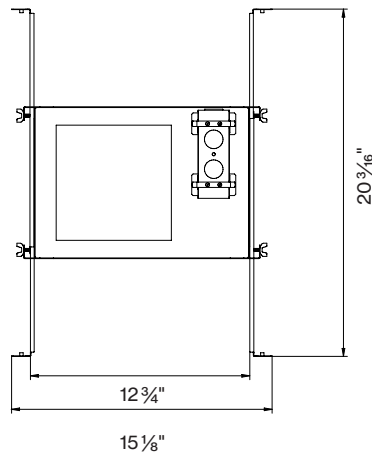
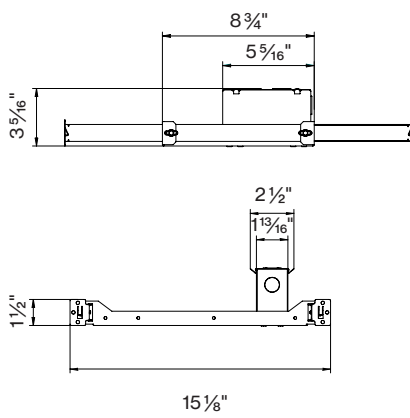
From Below Install      F B I  
T-Rod/non IC-rated      T R - N I C  
T-Rod / IC-rated      T R - I C R  
Chicago Plenum (CCEA)      T R - C C E A  
Remote Housing      R E M

**BASO**  
basolighting.com

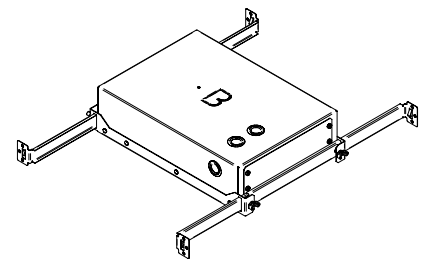
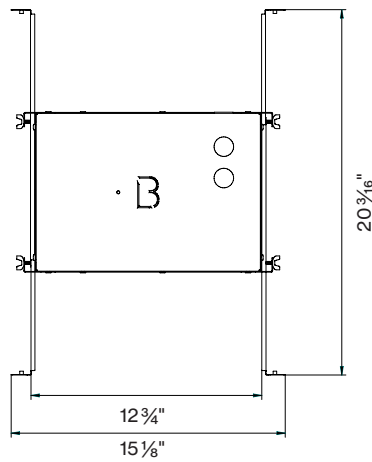
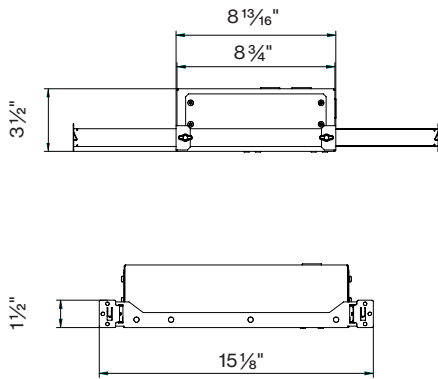
**Dimensions**



**non-IC rated**



**IC rated**



**Remote Housing**

