

CURVE 2.5 PERIMETER

Catalog Number Example

CURVE 2.5-PM-RTR-BL-OP-30K-C80-UNV-010V-SEN-0500LF-NLC-ST-96IN

A B C D E F G H J K L M N O

A RANGE

CURVE 2.5 CURVE 2.5

K SENSOR (optional)

Integrated Sensor SEN
consult customer service for sensor request

B SUB CATEGORY

Perimeter PM

I OUTPUT LM/FT

500lm/ft 100% 0500LF
750lm/ft 100% 0750LF
1000lm/ft 100% 1000LF
Custom lm/ft XXXXLF
custom lumen up to 1200 lm/ft

C MOUNTING

Recessed trimless RTL
Recessed with trim RTR
Armstrong Suprafine 9/16" G A9G
Armstrong Interlude 9/16" SG A9S
Armstrong Silhouette 9/16" BSG A9S
Armstrong Prelude 15/16" G A15
9/16" Grid (any brand) GRD
9/16" Slot Grid (any brand) GRD
15/16" Grid (any brand) GRD
Custom XXX

M CIRCUIT / EM

Single circuit *
EMC night light circuit NLC
EMB available in 4ft and 8ft EM#
* leave blank

D COLOR

White WH
Black BL
Gray GR
Custom color RAL XX
trimless version available in white only

K RADIUS IN INCH

18" RA-18IN
24" RA-24IN
30" RA-30IN
36" RA-36IN
48" RA-48IN
60" RA-60IN
120" RA-120IN

for custom radii, please contact customer service

E LENS REGRESSION

HP opal cover flush OP
HP opal cover 1" regressed O1
HP opal cover 2" regressed O2
fixture depth is field-adjustable

L ANGLE

22.5° * A22
45° ≥ R36" only A45
67.5° * A67
90° A90
112.5° * A112
135° A135
157.5° * A157
180° A180
202.5° * A202
225° A225
247.5° * A247
270° A270
292.5° * A292
315° A315
337.5° * A337

* ≥ R120" only; for custom angles, please contact customer service

F END CAP DETAIL

Trim endcap (RTR only) TR
Trimless endcap - wall to wall TL
Invisible endcap - wall to wall IN

G CCT

2700K 27K
3000K 30K
3500K 35K
4000K 40K

H CRI

CRI > 80 C80
CRI > 90 C90

I VOLTAGE

120V / 277V UNV

J DIMMING

0-10V 1% 010V
Lutron EcoSystem LES1
Quantum, Vive, GRAFIK Eye, HomeWorks
Power over ethernet POEC
consult customer service for compatibility
Custom dimming XXXX
consult customer service for compatibility

P CERTIFICATION (optional)

Chicago Plenum CCEA
Red List Approved RLA

CERTIFICATIONS & COMPLIANCE

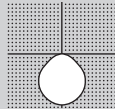


FEATURES



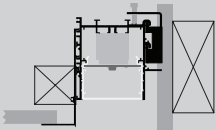
PERFORMANCE

- Up to 106lm/W efficiency
- 455 / 750lm/ft
- CRI > 80 & CRI > 90
- IC & Damp rated



MOUNTING

Perimeter



PATTERNS



*X Shapes Angular

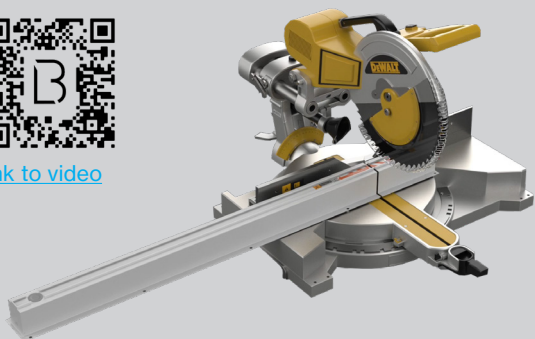
For customization, please contact customer service

FIELD-CUTTABLE FLEX

Down to 1/16"



link to video



BASO
basolighting.com

Technical data

BASO 2.5 DIRECT

| Delivered Lumens | CCT | CRI | Input Watts | Luminaire Efficacy |
|------------------|-------|----------|-------------|--------------------|
| 500 lm/ft ↓ | 4000K | CRI > 80 | 4.1 W/ft | 122 lm/W |
| 750 lm/ft ↓ | 4000K | CRI > 80 | 6.3 W/ft | 119 lm/W |
| 1000 lm/ft ↓ | 4000K | CRI > 80 | 8.9 W/ft | 112 lm/W |

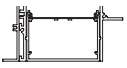
LUMEN OUTPUT MULTIPLIER*

| Color Temperature | CRI | |
|-------------------|------|------|
| | 80+ | 90+ |
| 4000K | 1 | 0.86 |
| 3500K | 0.96 | 0.84 |
| 3000K | 0.95 | 0.82 |
| 2700K | 0.91 | 0.78 |

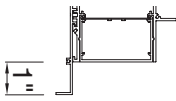
Perimeter depth

field adjustable

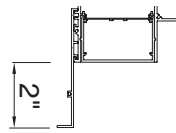
FLUSH



REGRESSED 1"



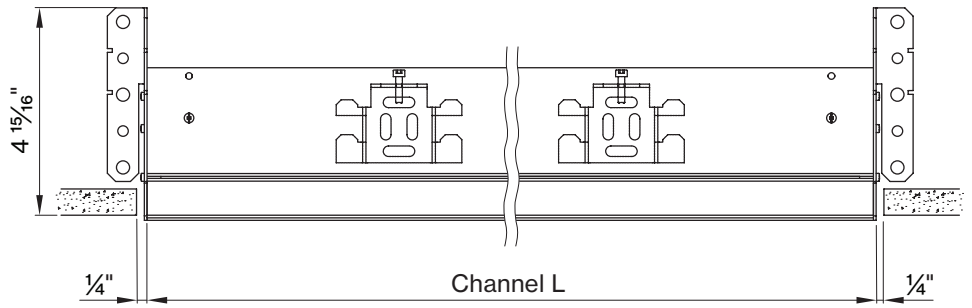
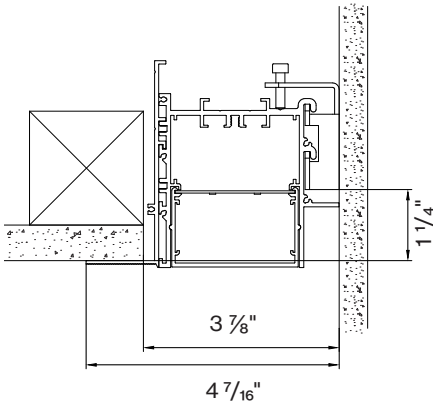
REGRESSED 2"



DIMENSIONS

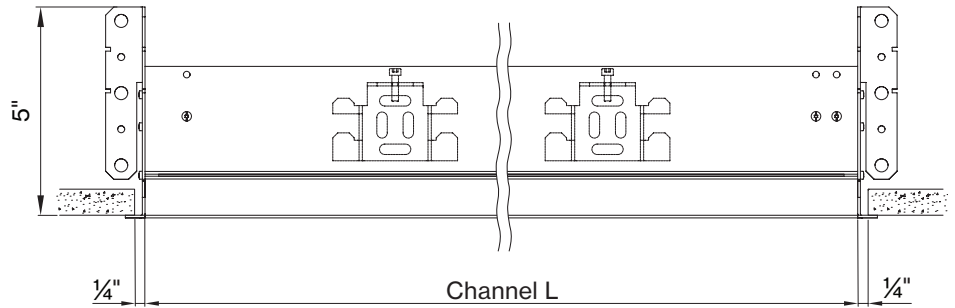
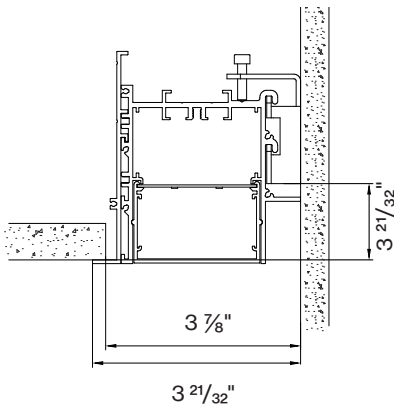
CURVE 2.5 PERIMETER

trimless flush



please see BASO 2.5 PERIMETER mounting instructions for regressed dimensions

with trim flush



please see BASO 2.5 PERIMETER mounting instructions for regressed dimensions

Declare.

CURVE/CIRCLE 1.5 2.5 4.0
BASO Inc.

Final Assembly: Collins, Connecticut, USA
 (US Department's Tier 1)
 End of Life Options: Recyclable (70%), Landfill (30%)

Ingredients:
 Aluminum, Copper, Fiberglass (GFR), Phosphoric acid, 2-methyl-
 methyl ester, polymer with styryl 2-oxocyclohexyl, 50ppm
 plasticizers, chemicals (unwashed), Resin (resin),
 100% Silicon Polyurethane (100% resin), 100% Resin (100% resin),
 Resin (100% resin), 100% Resin (100% resin), 100% Resin (100% resin),
 Copper, Polypropylene, Hexamethylenetetramine, Tin, Organic,
 Zinc

ULC Temp Exception 9E, 002 - Small Electrical Components

Living Building Challenge Criteria Compliance

100 Red List:
 ■ ULC Red List Free % Disclosed: 100% at 100ppm
 ■ ULC Red List Approved VOC Content: Not Applicable
 Disclosed

100 Interior Performance: Not Applicable
100 Responsible Sourcing: Not Applicable

BAS-0001
 02/01/2019
 Original Issue Date: 2022

INTERNATIONAL LIVING BUILDING CHALLENGE™ Living Building Challenge

CURVE mounting instructions

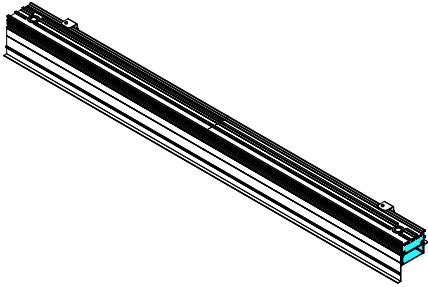
Get access to the CURVE 2.5 mounting instructions faster by scanning the QR code.

<https://www.basolighting.com/resources/mounting-instructions/baso>

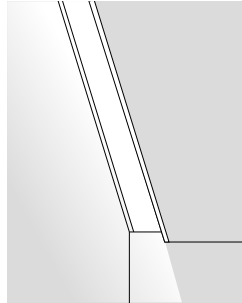


BASO 2.5 PERIMETER

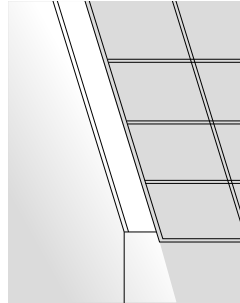
Invisible endcap



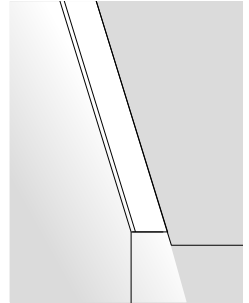
RTR



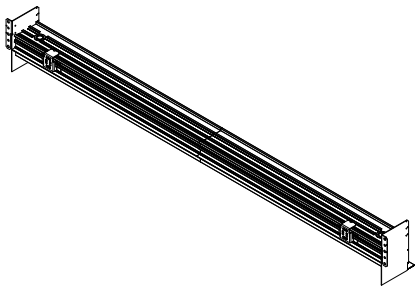
RTR (GRD)



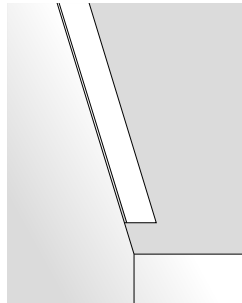
RTL



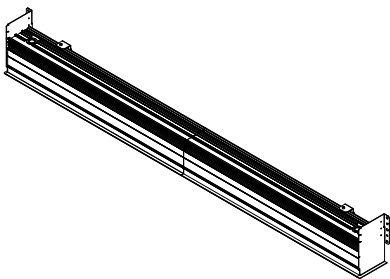
Trimless endcap



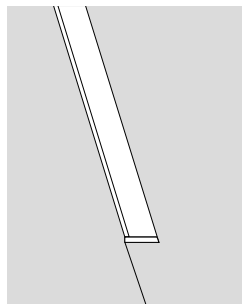
RTL



Trim endcap (RTR only)



RTR



RTR (GRD)

