

BASO 2.5 PERIMETER

Catalog Number Example

BASO 2.5-PM-RTR-BL-OP-30K-C80-UNV-010V-SEN-0500LF-NLC-ST-96IN

A B C D E F G H J K L M N O

A RANGE

BASO 2.5 BASO 2.5

B SUB CATEGORY

Perimeter PM

C MOUNTING

QS Recessed trimless	R T L
QS Recessed with trim	R T R
QS Armstrong Suprafine 9/16" G	A 9 G
QS Armstrong Interlude 9/16" SG	A 9 S
QS Armstrong Silhouette 9/16" BSG	A 9 S
QS Armstrong Prelude 15/16" G	A 1 5
QS 9/16" Grid (any brand)	G R D
QS 9/16" Slot Grid (any brand)	G R D
QS 15/16" Grid (any brand)	G R D
Custom	X X X

D COLOR

QS White	W H
QS Black	B L
Gray	G R
Custom color RAL	X X

trimless version available in white only

E LENS REGRESSION

HP opal cover flush	O P
HP opal cover 1" regressed	O 1
HP opal cover 2" regressed	O 2

fixture depth is field-adjustable

F END CAP DETAIL

Trim endcap (RTR only)	T R
Trimless endcap - wall to wall	T L
Invisible endcap - wall to wall	I N

G CCT

2700K	2 7 K
QS 3000K	3 0 K
QS 3500K	3 5 K
4000K	4 0 K

H CRI

CRI > 80	C 8 0
CRI > 90	C 9 0

I VOLTAGE

120V / 277V U N V

J DIMMING

QS 0-10V 1%	0 1 0 V
Lutron EcoSystem	L E S 1
Quantum, Vive, GRAFIK Eye, HomeWorks	
Power over ethernet	P O E C
consult customer service for compatibility	
Custom dimming	X X X X
consult customer service for compatibility	

K SENSOR (optional)

Integrated Sensor	S E N
consult customer service for sensor request	

J OUTPUT LM/FT

QS 500lm/ft 100% ↓	0 5 0 0 L F
QS 750lm/ft 100% ↓	0 7 5 0 L F
QS 1000lm/ft 100% ↓	1 0 0 0 L F
Custom lm/ft	X X X X L F

custom lumen up to 1200 lm/ft

M CIRCUIT / EM

QS Single circuit	*
EMC night light circuit	N L C
EMB available in 4ft and 8ft	E M #

*leave blank

N SHAPE / PATTERN

QS Linear / straight	S T
QS Linear / straight + flex inset	S F
includes 1ft. field-cutttable section; only available for 4' and 8' segments	
L-shape	L S
□-shape (rectangular shape)	R S
U-shape	U S
Custom shape	X X

for grid applications using L-shape, rectangular shape or U-shape, please contact customer service for availability

O DIMENSIONS IN INCH

Linear 2'	2 4 I N
QS Linear 4'	4 8 I N
QS Linear 6'	7 2 I N
QS Linear 8'	9 6 I N
Linear custom	## # I N
Linear flex inset	## # I N
field-cutttable section	
L-Shape	## # X ## # I N
U-Shape	## # X ## # X ## # I N
□-Shape	## # X ## # I N

for lengths including flex insets, round up to the nearest total foot length

P CERTIFICATION (optional)

Chicago Plenum	C C E A
Red List Approved	R L A

CERTIFICATIONS & COMPLIANCE

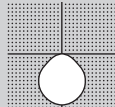


FEATURES



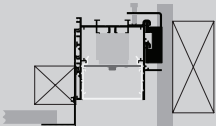
PERFORMANCE

- Up to 106lm/W efficiency
- 455 / 750lm/ft
- CRI > 80 & CRI > 90
- IC & Damp rated



MOUNTING

Perimeter



PATTERNS



*X Shapes Angular

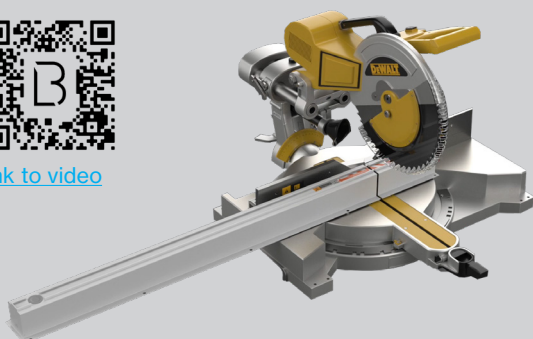
For customization, please contact customer service

FIELD-CUTTTABLE FLEX

Down to 1/16"



[link to video](#)



Technical data

BASO 2.5 DIRECT

Delivered Lumens	CCT	CRI	Input Watts	Luminaire Efficacy
500 lm/ft †	4000K	CRI > 80	4.1 W/ft	122 lm/W
750 lm/ft †	4000K	CRI > 80	6.3 W/ft	119 lm/W
1000 lm/ft †	4000K	CRI > 80	8.9 W/ft	112 lm/W

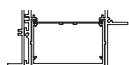
LUMEN OUTPUT MULTIPLIER*

Color Temperature	CRI	
	80+	90+
4000K	1	0.86
3500K	0.96	0.84
3000K	0.95	0.82
2700K	0.91	0.78

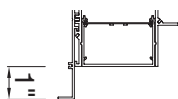
Perimeter depth

field adjustable

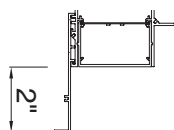
FLUSH



REGRESSED 1"

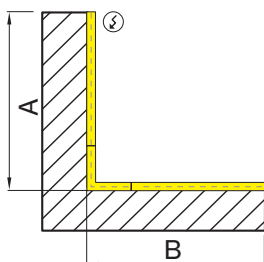


REGRESSED 2"

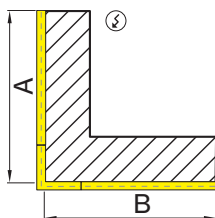


Patterns top view

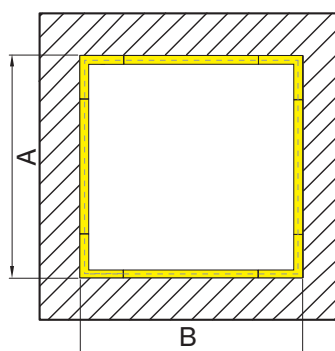
L-SHAPE inside corner



L-SHAPE outside corner

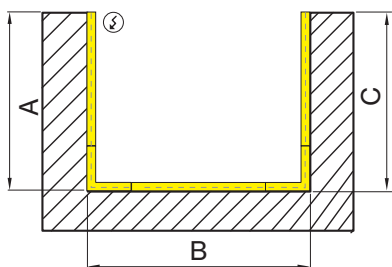


□-SHAPE inside corner

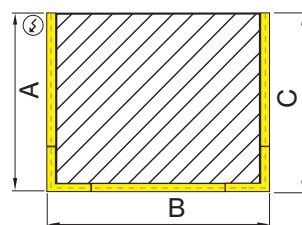


A / B	FIXTURES	CODE
48" / 48"	2 × 2' linear + 1 × 2' × 2' corner	0 4 X 0 4 F T
48" / 96"	1 × 2' linear + 1 × 6' linear + 1 × 2' × 2' corner	0 4 X 0 8 F T
96" / 96"	2 × 6' linear + 1 × 2' × 2' corner	0 8 X 0 8 F T

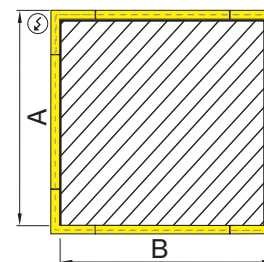
U-SHAPE inside corner



U-SHAPE outside corner



□-SHAPE outside corner

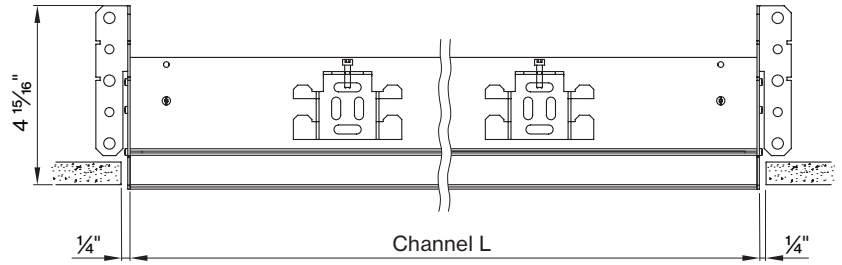
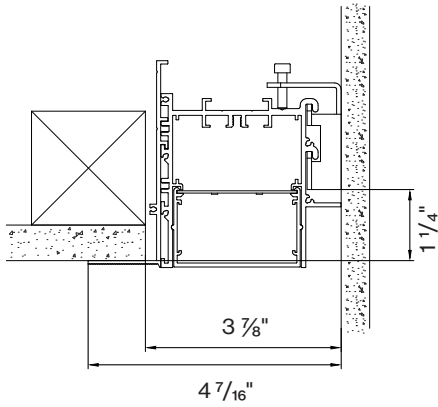


A / B / C	FIXTURES	CODE	A / B	FIXTURES	CODE
48" / 48" / 48"	2 × 2' linear + 2 × 2' × 2' corner	0 4 X 0 4 X 0 4 F T	48" / 48"	4 × 2' × 2' corner	0 4 X 0 4 F T
48" / 96" / 48"	1 × 4' linear + 2 × 2' linear + 2 × 2' × 2' corner	0 4 X 0 8 X 0 4 F T	48" / 96"	2 × 4' linear + 4 × 2' × 2' corner	0 4 X 0 8 F T
48" / 144" / 48"	1 × 8' linear + 2 × 2' linear + 2 × 2' × 2' corner	0 4 X 1 2 X 0 4 F T	96" / 96"	4 × 4' linear + 4 × 2' × 2' corner	0 8 X 0 8 F T

DIMENSIONS

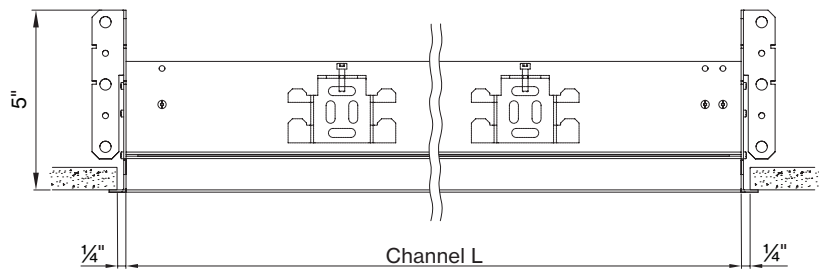
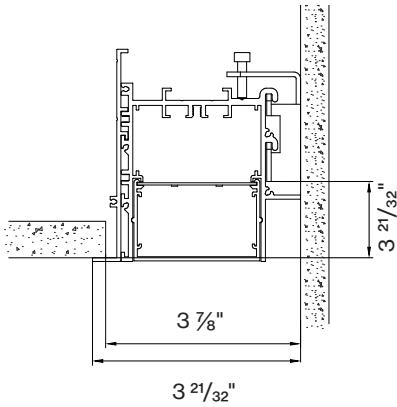
BASO 2.5 PERIMETER

trimless flush



please see BASO 2.5 PERIMETER mounting instructions for regressed dimensions

with trim flush



please see BASO 2.5 PERIMETER mounting instructions for regressed dimensions

Declare.

BASO 1.5 2.5 4.0
BASO Inc.

Final Assembly: Collins, Connecticut, USA
 L10 (Exceptionally 7' linear)
 End of Life Options: Recyclable (80%), Landfill (20%)

Ingredients

Aluminum, 2-Phenylacetic acid, 2-methyl-, methyl ester, polymer with ethyl 2-oxopropionate, Steel manufacture, Chemicals, Copper chloride (CuCl2), Steel mounting components, Polyethylene, Glass, 10-Trimmed/2-Trimmed-G-Antennas/2) Clipper, Stainless Steel, Tin Organic Silicon

1. LBC Temp Exception RECO2 - Small Electrical Components

Living Building Challenge Criteria Compliant

H1 Red List

■ LBC Red List Free % Disposed 100% at 100ppm
 ■ LBC Red List Approved VOC Content: Not Applicable
 Chlorinated

H10 Interior Performance: Not Applicable
 H14 Responsible Sourcing: Not Applicable

BAS-0002
 8/31/19 DEC 2025
 Original Issue Date: 2023

INTERNATIONAL LIVING FUTURE INSTITUTE www.livingfutureinstitute.com

BASO mounting instructions

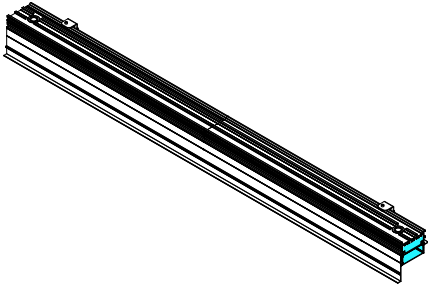
Get access to the BASO 2.5 mounting instructions faster by scanning the QR code.

<https://www.basolighting.com/resources/mounting-instructions/baso>

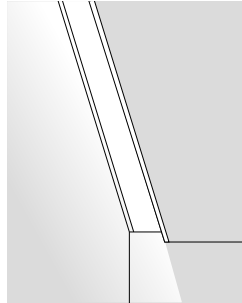


BASO 2.5 PERIMETER

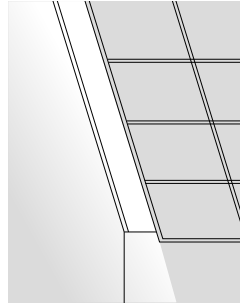
Invisible endcap



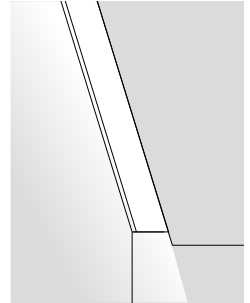
RTR



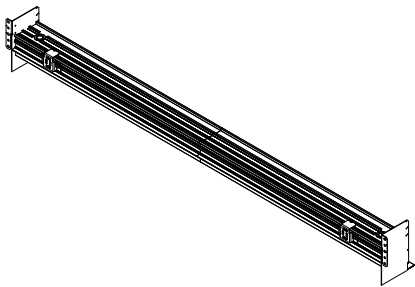
RTR (GRD)



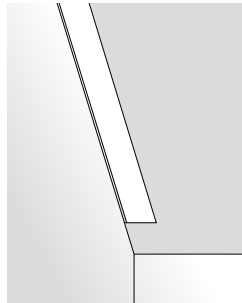
RTL



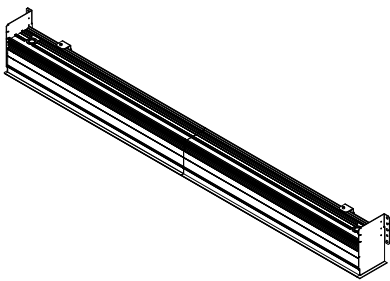
Trimless endcap



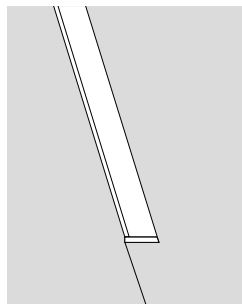
RTL



Trim endcap (RTR only)



RTR



RTR (GRD)

