

BASO 1.5

DIRECT / INDIRECT

Catalog Number Example

BASO 1.5-PDT-BL-OPBW-27K-C80-UNV-010V-SEN-0400LF-0400LF-DC-ST-48IN

A B C D E F G H I J K L M N

A RANGE

BASO 1.5 BASO 1 . 5

B MOUNTING

QS Pendant P D T
 Pendant in-line ACT T-BAR P A T
 Pendant in-line ACT SLOT P A S
 Pendant ACT center tile P A C
 pendant suspension set includes cable suspension and one white power feeder with a white junction box cover
 Wall mounted W A L
 for black power feeds or junction box covers, please contact customer service

C COLOR

QS White W H
QS Black B L
 Gray G R
 Custom color RAL X X
 trimless version available in white only

D LENS

QS HP opal cover direct O P B W
 Batwing cover indirect
 HP opal cover direct O P O P
 opal cover indirect

E CCT

2700K 2 7 K
QS 3000K 3 0 K
QS 3500K 3 5 K
 4000K 4 0 K

F CRI

QS CRI > 80 C 8 0
QS CRI > 90 C 9 0

G VOLTAGE

120V / 277V U N V

H DIMMING

QS 0-10V 1% 0 1 0 V
 Lutron EcoSystem L E S 1
 Quantum, Vive, GRAFIK Eye,
 HomeWorks
 Power over ethernet P O E C
 consult customer service for compatibility
 Custom dimming X X X X
 consult customer service for compatibility

I SENSOR (optional)

Integrated Sensor S E N
 consult customer service for sensor request

J OUTPUT LM/FT DOWN

QS 400 lm/ft ↓ 0 4 0 0 L F
QS 600 lm/ft ↓ 0 6 0 0 L F
 800 lm/ft ↓ 0 8 0 0 L F
 Custom lm/ft X X X X L F
 custom lumen up to 800 lm/ft

K OUTPUT LM/FT UP

QS 400 lm/ft ↑ 0 4 0 0 L F
QS 600 lm/ft ↑ 0 6 0 0 L F
 800 lm/ft ↑ 0 8 0 0 L F
 Custom lm/ft X X X X L F
 custom lumen up to 1000 lm/ft

L CIRCUIT / EM

QS Single circuit *
 EMC night light circuit N L C
 EMB available in 4ft and 8ft E M #
 Dual Circuit D C
 * leave blank

M SHAPE / PATTERN

QS Linear / straight S T
 L-shape L S
 □-shape (rectangular shape) R S
 U-shape U S
 Custom shape X X

for grid applications using L-shape, rectangular shape or U-shape, please contact customer service for availability

N DIMENSIONS IN INCH

QS Linear 4' 4 8 I N
QS Linear 6' 7 2 I N
QS Linear 8' 9 6 I N
 Linear custom # # # I N
 Linear flex inset # # # I N
 includes 4' to 3' field-cutttable section
 L-Shape # # # X # # # I N
 U-Shape # # # X # # # X # # # I N
 □-Shape # # # X # # # I N

for lengths including flex insets, round up to the nearest **total** foot length

O CERTIFICATION (optional)

Red List Approved R L A

CERTIFICATIONS & COMPLIANCE

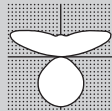


FEATURES



PERFORMANCE

- Up to 110lm/W efficiency
- 400 / 550lm/ft
- CRI > 80 & CRI > 90
- Damp rated



MOUNTING

Pendant



PATTERNS



*X Shapes Angular Curves Rectangular *T Shapes *Wall to Ceiling

For customization, please contact customer service

Technical data

BASO 1.5 DIRECT

Delivered Lumens	CCT	CRI	Input Watts	Luminaire Efficacy
400 lm/ft ↓	4000K	CRI > 80	3.9 W/ft	103 lm/W
600 lm/ft ↓	4000K	CRI > 80	5.9 W/ft	102 lm/W
800 lm/ft ↓	4000K	CRI > 80	8.2 W/ft	98 lm/W

LUMEN OUTPUT MULTIPLIER*

Color Temperature	CRI	
	80+	90+
4000K	1	0.86
3500K	0.96	0.84
3000K	0.95	0.82
2700K	0.91	0.78

*To calculate the color temperatures >4000K and CRI 90, multiply the values in the lumen output tables.

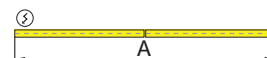
BASO UPLIGHT

Delivered Lumens	CCT	CRI	Input Watts	Luminaire Efficacy
400 lm/ft †	4000K	CRI > 80	3.5 W/ft	114 lm/W
500 lm/ft †	4000K	CRI > 80	4.3 W/ft	116 lm/W
600 lm/ft †	4000K	CRI > 80	5.2 W/ft	115 lm/W
750 lm/ft †	4000K	CRI > 80	6.9 W/ft	109 lm/W
800 lm/ft †	4000K	CRI > 80	6.9 W/ft	108 lm/W
1000 lm/ft †	4000K	CRI > 80	9.4 W/ft	106 lm/W

Patterns top view

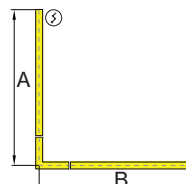
LINEAR

A	FIXTURES	CODE
48"	1 × 4' linear	ST - 0 4 F T
96"	1 × 8' linear	ST - 0 8 F T
144"	3 × 4' linear	ST - 1 2 F T



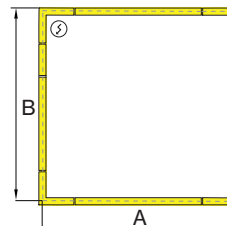
L-SHAPE

A / B	FIXTURES	CODE
48" / 48"	2 × 2' linear + 1 × 2' × 2' corner	LS - 0 4 X 0 4 F T
48" / 96"	1 × 2' linear + 1 × 6' linear + 1 × 2' × 2' corner	LS - 0 4 X 0 8 F T
96" / 96"	2 × 6' linear + 1 × 2' × 2' corner	LS - 0 8 X 0 8 F T



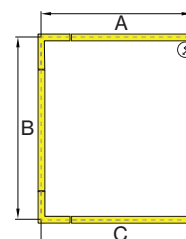
□-SHAPE (rectangular shape)

A / B	FIXTURES	CODE
48" / 48"	4 × 2' × 2' corner	RS - 0 4 X 0 4 F T
48" / 96"	2 × 4' linear + 4 × 2' × 2' corner	RS - 0 4 X 0 8 F T
96" / 96"	4 × 4' linear + 4 × 2' × 2' corner	RS - 0 8 X 0 8 F T



U-SHAPE

A / B / C	FIXTURES	CODE
48" / 48" / 48"	2 × 2' linear + 2 × 2' × 2' corner	US - 0 4 X 0 4 X 0 4 F T
48" / 96" / 48"	1 × 4' linear + 2 × 2' linear + 2 × 2' × 2' corner	US - 0 4 X 0 8 X 0 4 F T
48" / 144" / 48"	1 × 8' linear + 2 × 2' linear + 2 × 2' × 2' corner	US - 0 4 X 1 2 X 0 4 F T



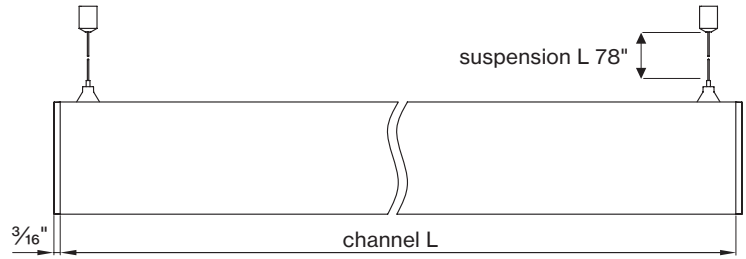
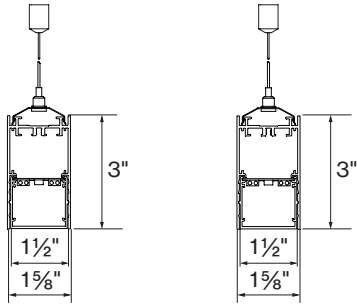
DIMENSIONS

BASO 1.5

PENDANT
direct

direct / indirect

linear 4ft / 8ft

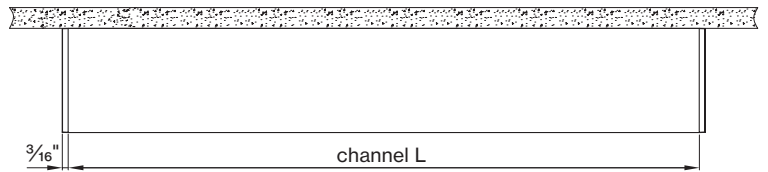
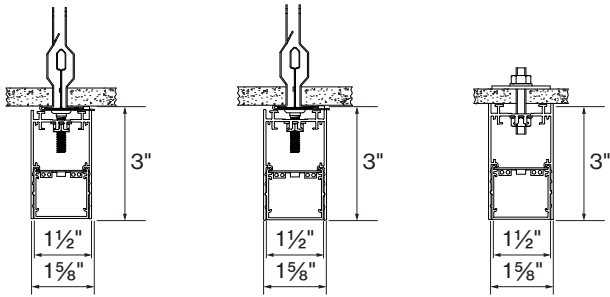


BASO 1.5 SPECIALITY MOUNTING

SURFACE
in-line ACT TBAR

SURFACE
in-line ACT SLOT

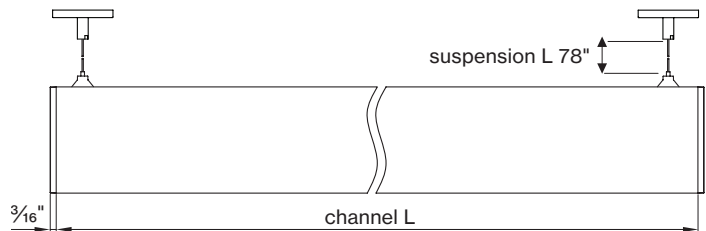
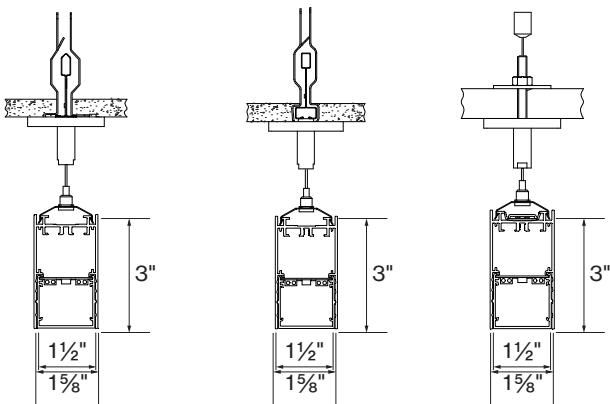
SURFACE
ACT center tile



PENDANT
ACT TBAR

PENDANT
in-line ACT SLOT

PENDANT
ACT center tile



BASO mounting instructions

Get access to the BASO 1.5 mounting instructions faster by scanning the QR code.

<https://www.basolighting.com/resources/mounting-instructions/baso>

